



CENTRIFUGAL SINGLE INLET FANS

CRMT Series, F400 120 Rated Fans



Officially approved to EN12101-3



CONTINUOUS operation

Range of single inlet direct drive centrifugal fans **designed for smoke extraction in fire conditions and certified F400 120** (CE marked) and **suitable for the continuous extraction of air stream up to 300°C**.

All casings are manufactured from electro-welded sheet steel **protected against corrosion by grey epoxy-polyester paint coating**.

All models incorporate forward curved centrifugal impellers manufactured from galvanised sheet steel.

Available, depending upon the model, with single or three phase motors in 4 or 6 poles.

Motors

All motors are **IP55, class F**.

Electrical supply:

Three phase 230/400V-50Hz up to 3kW.

Three phase 400V-50Hz, for higher power motors.

(See characteristics chart).

Additional Information

The **scroll can be orientated in 8 different positions** as per the table below.

Standard supplied position: LG 270.

On request

Fan supplied in RD position.

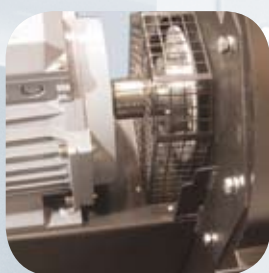
Fan fitted with 2-speed motor.

CRMT



0 020482 603070

Standard motor with cooling wheel



Motor heat removal system ensures extraction of high temperature air stream.

Impellers dynamically balanced



Forward curved centrifugal impellers **dynamically balanced** according to ISO 1940 standard, providing vibration free Operation.

Centrifugal direct drive fans

APPLICATIONS



Parkings



Industrial and Commercial kitchens



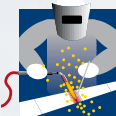
Drying installations



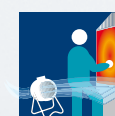
Iron and steel industries Foundries



Cooling of motors, compressors or other electrical machines



Welding installations



Ventilation and cooling of working places



Car industry/ Furnace ventilation



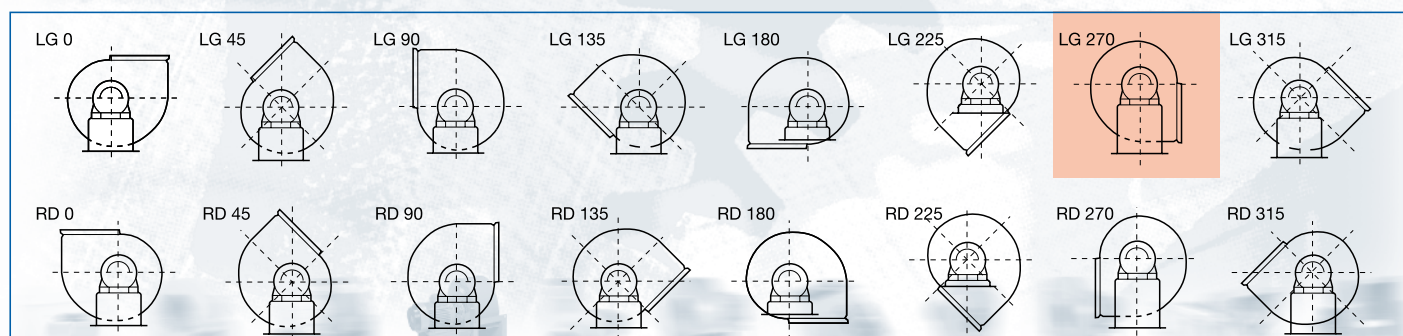
F400-120



300°C

CONTINUOUS operation

POSITIONS



Standard position: LG 270. Special versions are supplied under request.

■ Technical characteristics

Before installation check that the product electrical characteristics listed on the data plate label (Voltage, power, frequency etc) match those of the intended electrical supply.

Model	Speed (r.p.m.)	Maximum power absorbed (kW)	Maximum current (A)		Maximum air volume (m³/h)	Sound pressure level (dB(A))	Weight (kg)
			230 V	400 V			
4 POLES THREE PHASE							
CRMT/4-225/90-0,55	1390	0,55	2,85	1,65	2350	70	23,5
CRMT/4-250/100-1,1	1390	1,1	4,8	2,8	3600	72	33
CRMT/4-250/100-1,5	1400	1,5	6,4	3,7	3900	73	36
CRMT/4-280/115-2,2	1400	2,2	9,1	5,3	5050	75	44,5
CRMT/4-280/115-3	1400	3	12,6	7,3	5500	76	47,5
CRMT/4-315/130-2,2	1400	2,2	9,1	5,3	5450	72	50,5
CRMT/4-315/130-3	1400	3	12,6	7,3	6400	75	53,5
CRMT/4-315/130-4	1420	4	–	9,3	7100	78	56,5
CRMT/4-355/145-3	1400	3	12,6	7,3	6200	75	55,5
CRMT/4-355/145-4	1420	4	–	9,3	7700	78	58,5
CRMT/4-355/145-5,5	1440	5,5	–	12	9300	81	71,5
CRMT/4-355/145-7,5	1445	7,5	–	15,5	10700	83	79,5
CRMT/4-400/165-4	1420	4	–	9,3	7200	77	73,5
CRMT/4-400/165-5,5	1440	5,5	–	12	8300	80	86,5
CRMT/4-400/165-7,5	1445	7,5	–	15,5	10460	83	94,5
CRMT/4-450/185-5,5	1445	5,5	–	12	7560	83	96,5
CRMT/4-450/185-7,5	1445	7,5	–	15,5	9900	86	104,5
CRMT/4-500/205-7,5	1445	7,5	–	15,5	8410	83	109,5
CRMT/4-500/205-9,2	1450	9,2	–	21,5	10300	85	121,5
CRMT/4-500/205-11	1450	11	–	22,5	11250	87	133,5
CRMT/4-500/205-15	1460	15	–	31	15930	89	148,5
6 POLES THREE PHASE							
CRMT/6-355/145-1,5	945	1,5	7,5	4,3	6700	75	54,5
CRMT/6-400/165-2,2	950	2,2	10,8	6,2	7750	72	73,5
CRMT/6-450/185-2,2	950	2,2	10,8	6,2	7800	75	83,5

Attention: The values of sound pressure levels, are values measured in dB(A) at 1,5m at the fan discharge side and at the maximum volume (Qmax).



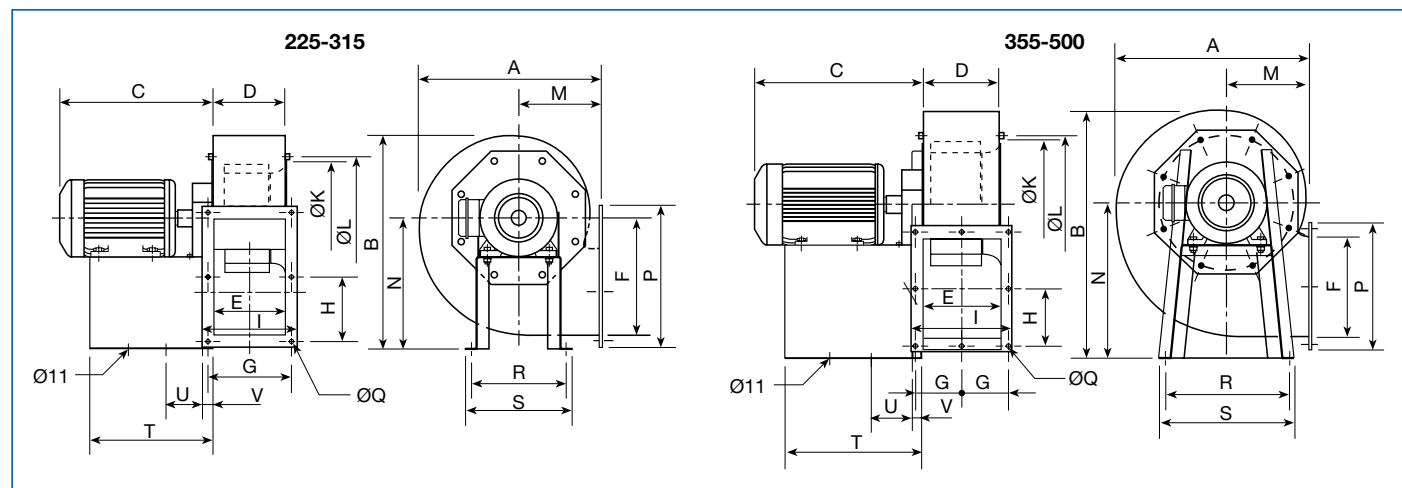
Acoustic characteristics

Sound power level spectrum in dB(A) at the corresponding frequency band in Hz.

SOUND LEVEL SPECTRUM								
Description	63 Hz	125 Hz	250 Hz	500 Hz	1000 Hz	2000 Hz	4000 Hz	8000 Hz
4 POLES								
CRMT/4-225/90 - 0,55	55	67	74	75	80	81	77	73
CRMT/4-250/100 - 1,1	56	69	75	76	81	82	78	75
CRMT/4-250/100 - 1,5	56	69	75	76	81	82	78	75
CRMT/4-280/115 - 2,2	59	72	78	79	84	85	81	78
CRMT/4-280/115 - 3	59	72	78	79	84	85	81	78
CRMT/4-315/130 - 2,2	56	69	75	76	81	82	78	75
CRMT/4-315/130 - 3	59	72	78	79	84	85	81	78
CRMT/4-315/130 - 4	62	75	81	82	87	88	84	81
CRMT/4-355/145 - 3	59	72	78	79	84	85	81	78
CRMT/4-355/145 - 4	62	75	81	82	87	88	84	81
CRMT/4-355/145 - 5,5	65	78	84	85	90	91	87	84
CRMT/4-355/145 - 7,5	66	79	85	86	91	92	88	85
CRMT/4-400/165 - 4	61	74	80	81	86	87	83	80
CRMT/4-400/165 - 5,5	64	77	83	84	89	90	86	83
CRMT/4-400/165 - 7,5	67	80	86	87	92	93	89	86
CRMT/4-450/185 - 5,5	67	80	86	87	92	93	89	86
CRMT/4-450/185 - 7,5	70	83	89	90	95	96	92	89
CRMT/4-500/205 - 7,5	67	80	86	87	92	93	89	86
CRMT/4-500/205 - 9	69	82	88	89	94	95	91	88
CRMT/4-500/205 - 11	71	84	90	91	96	97	93	90
CRMT/4-500/205 - 15	73	86	92	93	98	99	95	92
6 POLES								
CRMT/6-355/145 - 1,5	56	69	72	80	80	81	76	72
CRMT/6-400/165 - 2,2	58	70	73	81	81	82	78	74
CRMT/6-450/185 - 2,2	60	73	76	84	84	85	80	76

TOTAL	
Power	Pressure
4 POLES	
85	71
87	72
87	72
90	75
90	75
87	72
90	75
93	78
90	75
93	78
96	81
97	82
92	77
95	80
98	83
98	83
101	86
98	83
100	85
102	87
104	89
6 POLES	
86	72
87	73
90	76

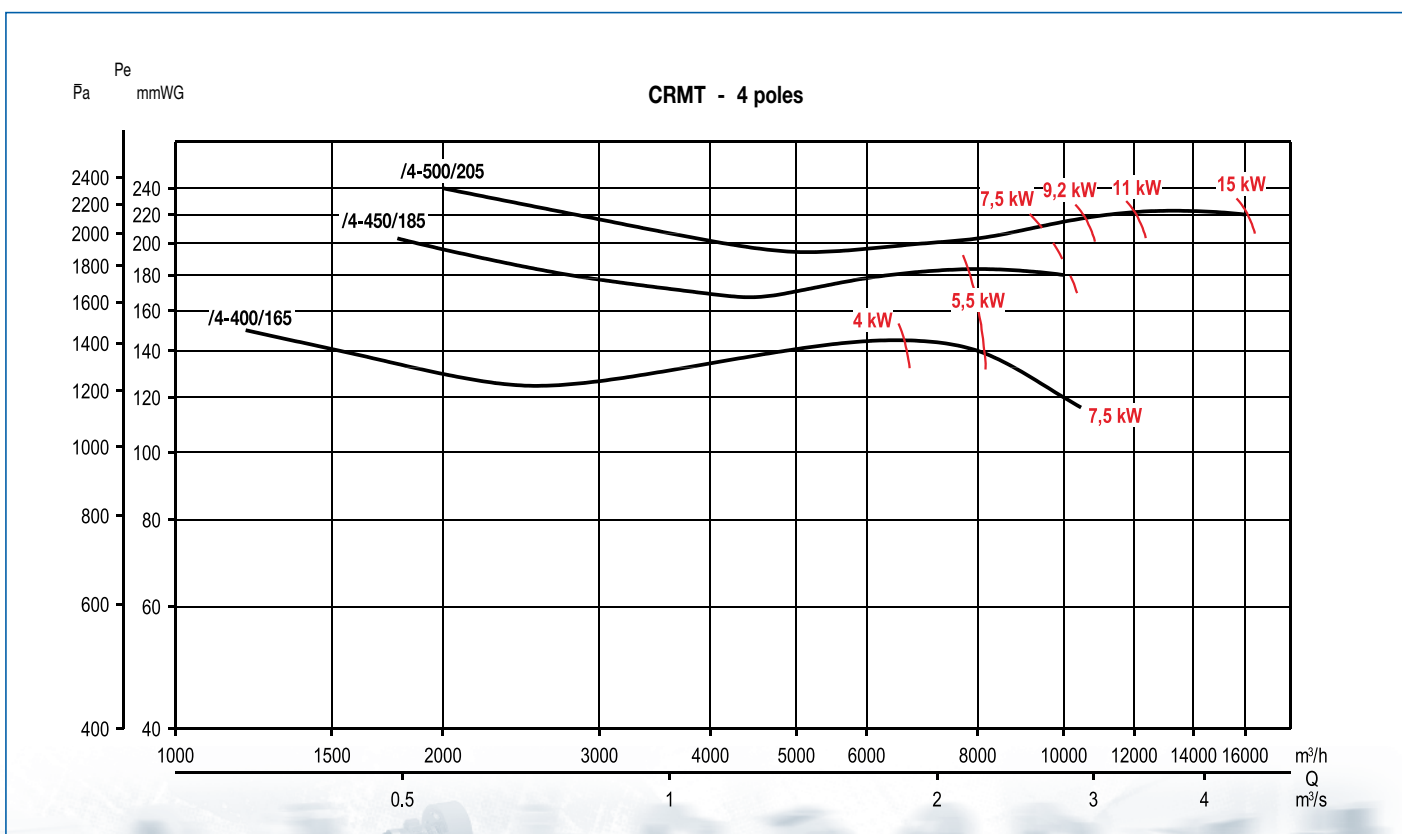
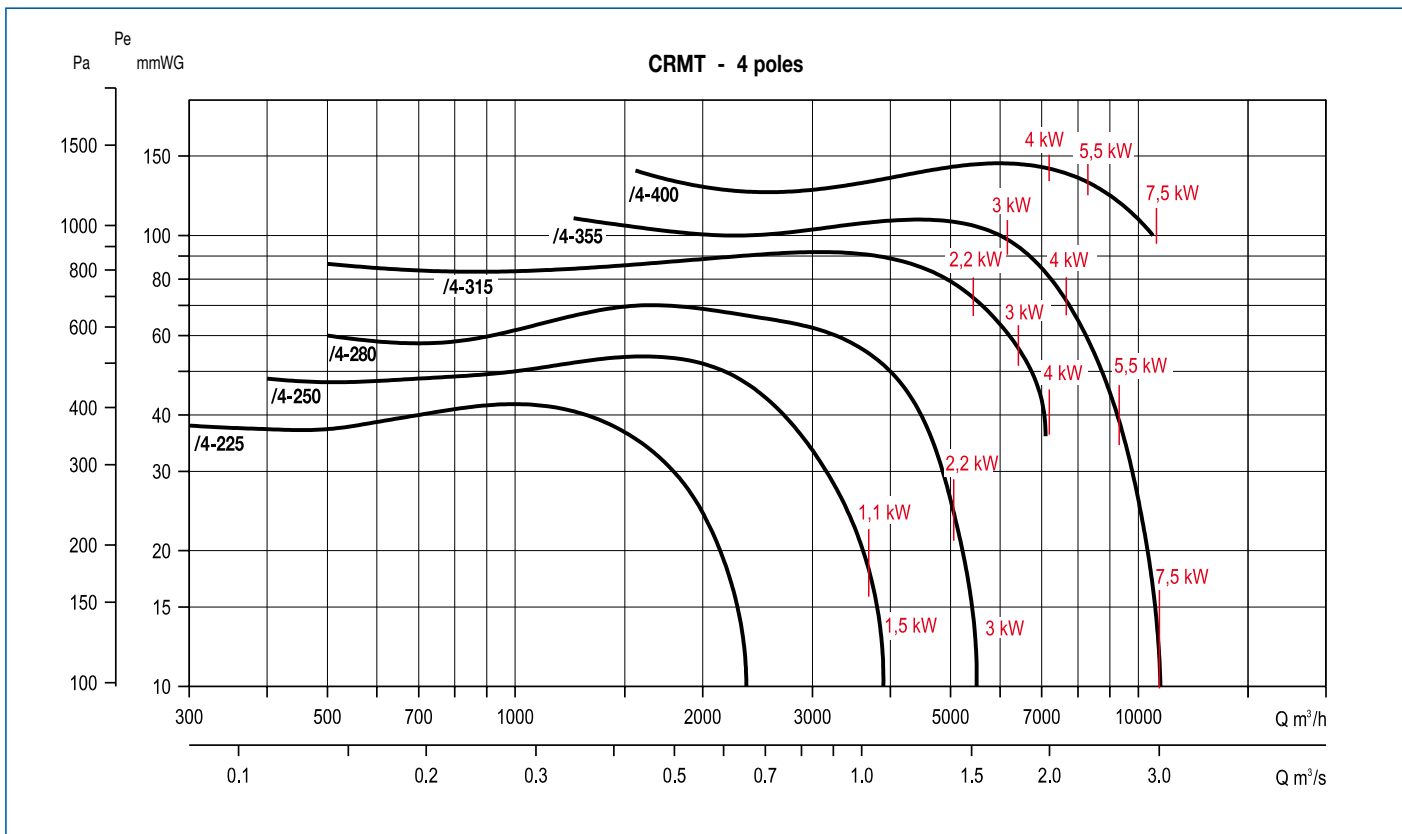
Dimensions



Model CRMT	A	B	C max	D	E	F	G	H	I	K	L	M	N	P	Q	R	S	T	U	V
225/90	388	454	315	143	140	216	180	128	203	234	256	181	280	279	10,5	220	250	230	3x50	29
250/100	427	503	370	168	165	250	205	145	228	252	282	197	310	313	10,5	228	260	280	3x74	27
280/115	467	547	420	183	180	300	220	170	243	292	320	215	340	363	10,5	245	275	315	2x95	27
315/130	525	630	440	203	200	320	240	180	263	325	354	238	390	383	11	322	352	320	2x140	20
355/145	566	707	540	231	227	280	133	159	291	365	394	250	445	343	11	420	450	405	2x136,5	30
400/165	628	792	555	254	249	320	150	185	334	410	438	270	495	404	11	402	438	420	2x133,5	30
450/185	704	892	555	288	283	360	164	202	368	460	485	302	560	444	11	502	538	420	2x140	30
500/205	790	980	702	319	314	454	182,5	250	409	510	535	345	610	544	11	613	653	540	2x187,5	30

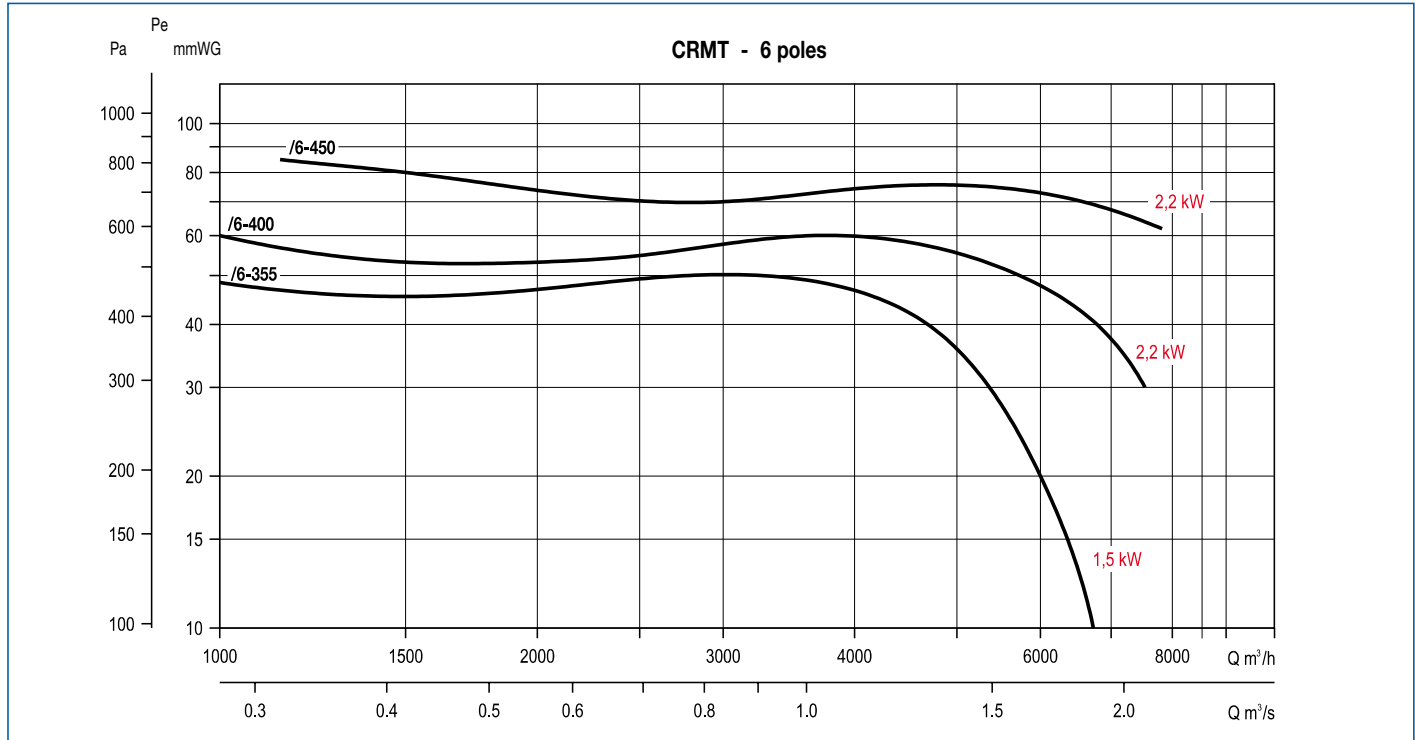
■ Performance curves

- Q = Air volume in, m³/hr and m³/s.
- Pe = Static pressure in mmWG and Pa.
- Dry air at 20°C and 760 mmHg.
- Air flow data in accordance with the following standards: UNE 100-212-89, BS 848, Part 1; AMCA 210-85 and ASHRAE 51-1985.

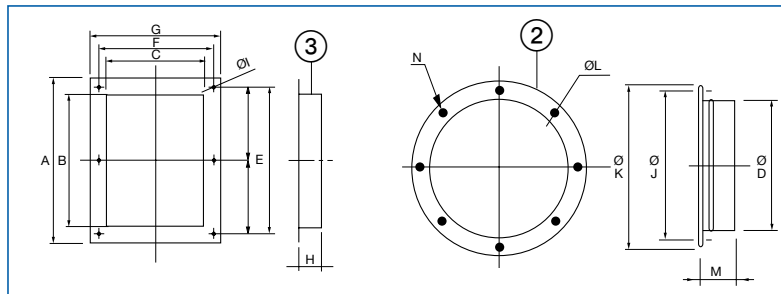
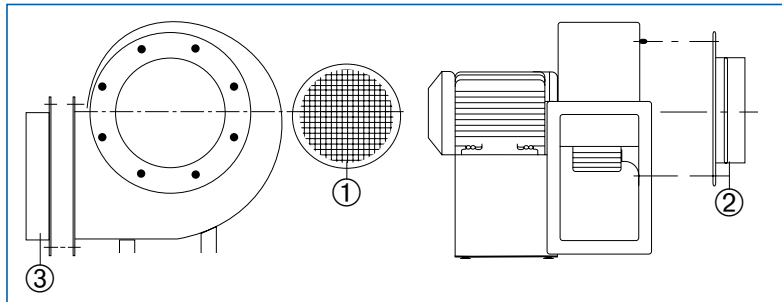


Performance curves

- Q = Air volume in, m³/hr and m³/s.
- Pe = Static pressure in mmWG and Pa.
- Dry air at 20°C and 760 mmHg.
- Air flow data in accordance with the following standards: UNE 100-212-89, BS 848, Part 1; AMCA 210-85 and ASHRAE 51-1985.



Mounting accessories



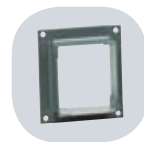
Model CRMT	① Inlet	② Inlet mounting flange	③ Discharge mounting flange
225/90	KRJ-225	KBA-225	KBD-225
250/100	KRJ-250	KBA-250	KBD-250
280/115	KRJ-280	KBA-280	KBD-280
315/130	KRJ-315	KBA-315	KBD-315
355/145	KRJ-355	KBA-355	KBD-355
400/165	KRJ-400	KBA-400	KBD-400
450/185	KRJ-450	KBA-450	KBD-450
500/205	KRJ-500	KBA-500	KBD-500



KRJ Inlet



KBA Inlet mounting flange



KBD Discharge mounting flange

Accessory model	A	B	C	Ø D	E	F	G	H	Ø I	Ø J	Ø K	Ø L	M	N
225/90	279	219	143	224	256	180	203	45	10	256	280	9	65	8
250/100	313	253	168	250	290	205	228	45	10	282	306	9	65	8
280/115	363	303	183	280	340	220	243	50	10	320	348	9	65	8
315/130	383	323	203	315	360	240	263	50	11	354	382	9	65	8
355/145	343	283	231	355	318	266	291	50	11	394	422	9	65	8
400/165	404	324	254	400	370	300	334	55	11	438	464	9	65	8
450/185	444	364	288	450	404	328	368	55	11	485	515	9	65	8
500/205	544	454	319	500	500	365	409	60	11	535	565	9	65	8